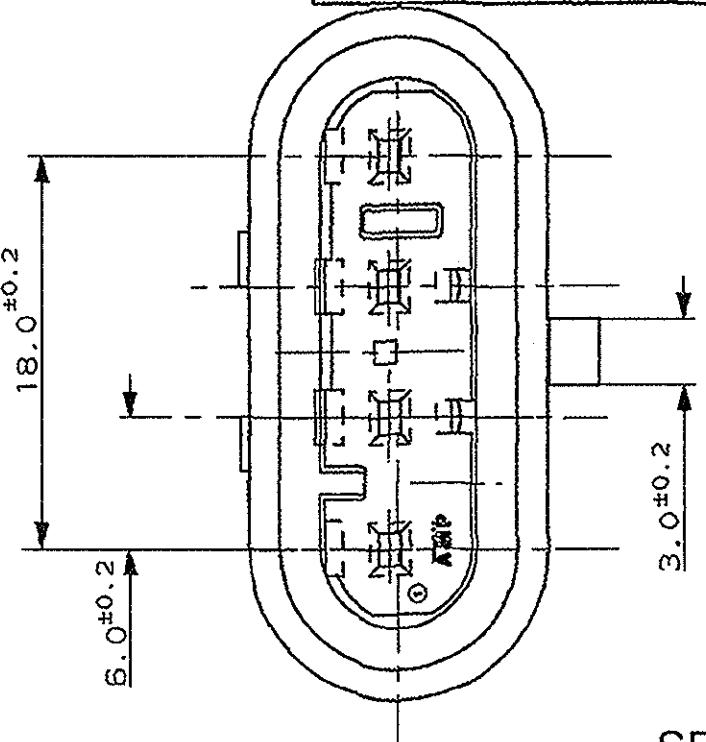
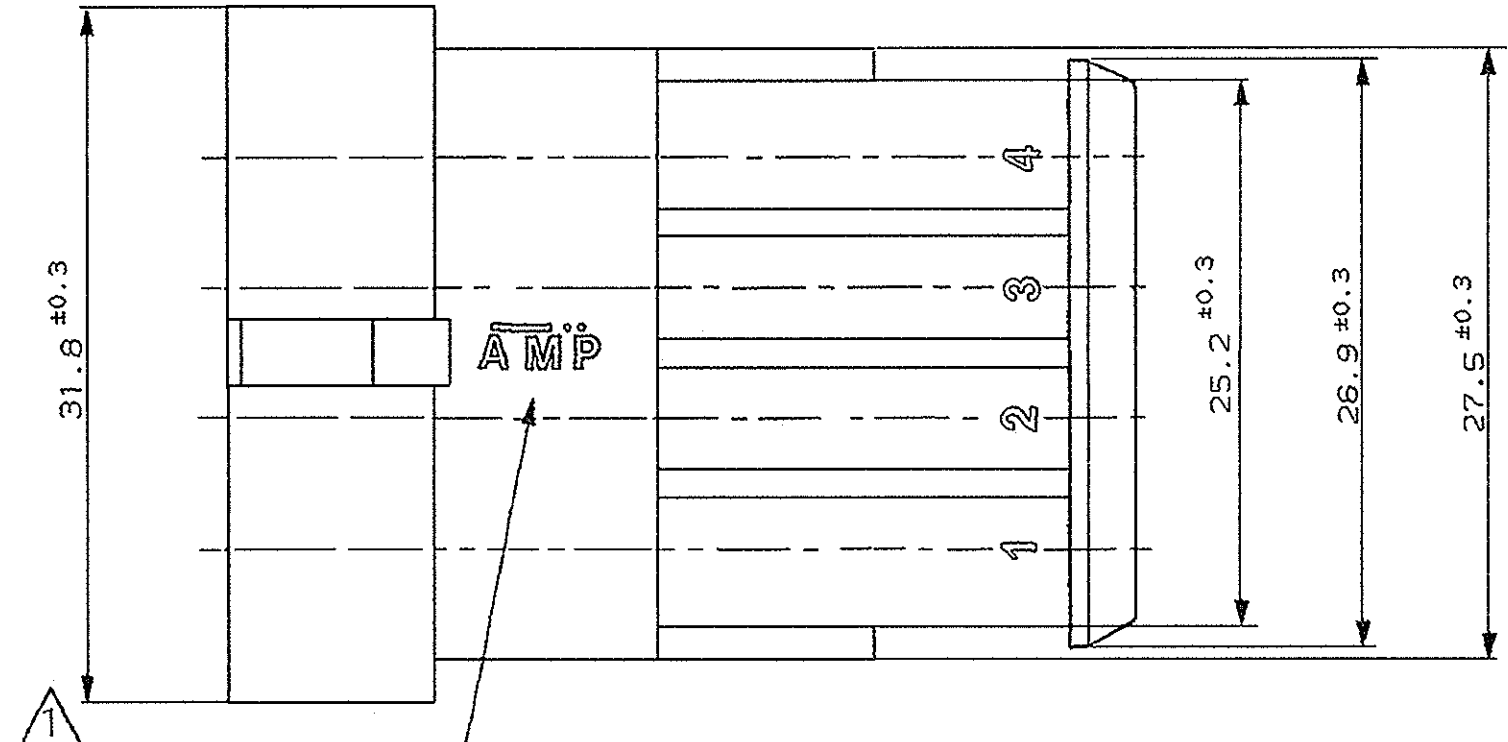
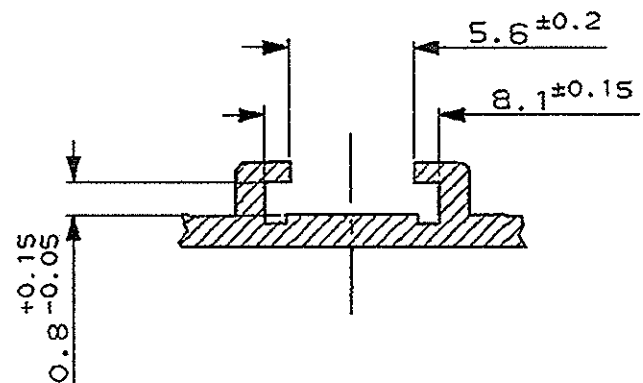
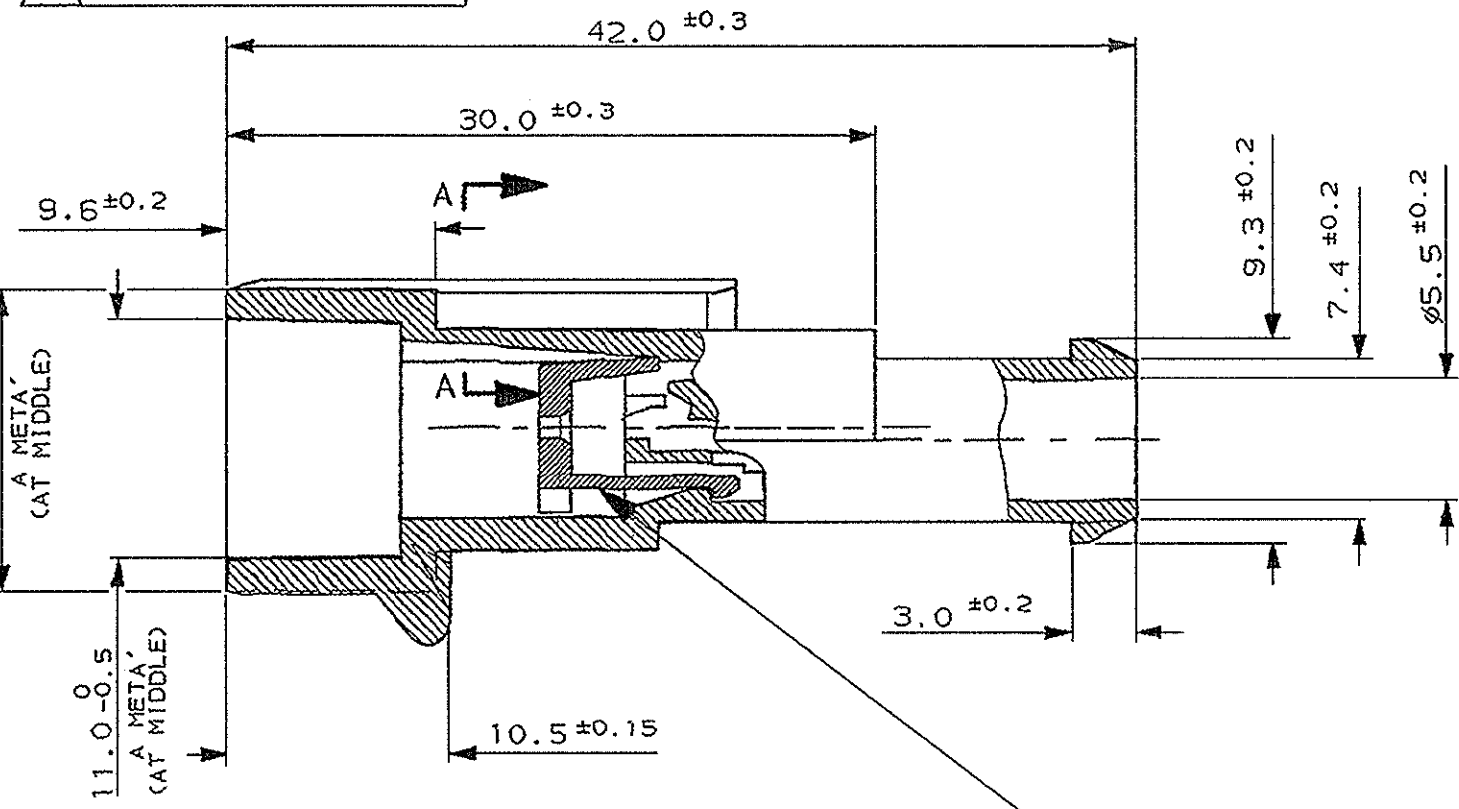


1 2 3 4 5 6 7 8

SCALA NON IMPEGNATIVA (DO NOT SCALE)  
 DIMENSIONI IN (DIMENSIONS IN) mm  
**METRIC**  
 PROIEZIONE EUROPEA (EUROPEAN PROJECTION)



SEZ. PARZ. A-A  
 (PART. SECT. A-A)



AGGANCIO SECONDARIO, COLORE ROSSO, PRE-ASSEMBLATO  
 (SECONDARY LOCK, RED COLOUR, IN PRE-ASSEMBLED POSITION)

LOGO "AMP" O, IN ALTERNATIVA, LOGO "TYCO"  
 ("AMP" TRADE MARK OR, IN ALTERNATIVE, "TYCO" TRADE MARK)

GRIGIO (GREY)	PA 6.6 CAR. VETRO	282106-2
NERO (BLACK)	(PA 6.6 G.F.)	282106-1
FINITURA / COLORE (FINISH / COLOUR)	MATERIALE (MATERIAL)	NUMERO (PART NUMBER)

CUSTOMER DWG. FOR REFERENCE ONLY  
 DISEGNO PER CLIENTE SOLO PER RIFERIMENTO

THIS DRAWING IS UNPUBLISHED - RELEASE FOR PUBLICATION 19

© COPYRIGHT 19 BY AMP INCORPORATED, HARRISBURG, PA. ALL INTERNATIONAL RIGHT RESERVED. AMP PRODUCTS MAY BE COVERED BY U.S. AND FOREIGN PATENT AND/OR PATENT PENDING

B	REVISED PER ECR-07-020914	M.G.	04-09-2007
A4	REVISED PER ET00-0120-04	P.Z.	08-06-2004
A3	REVISED PER ET00-0008-04	R.M.	08-06-2004
A2	REVISED FOR ET00-0264-01	M.G.	07-02-2002
A1	REVISED FOR ET00-0072-98	M.P.	07-04-1998
A	01H.S 25.2 & 27.2 WERE 25.0 & 28.0 (ECON ET00 0013-95)	AB	26-1-95
5	UP-DATED	C.B.	10-02-92
4	ADDED PN .-.2	C.B.	8-92
REV.	REVISIONI (REVISION RECORD)	DIS. DATA (DR)	COATEX

Tyco Electronics Tyco Electronics AMP Italia S.p.A. C.so F.lli Cervi, 15 - Collegno (TO)	
DESCRIZIONE (DESCRIPTION)	4 POS TAB ASS'Y
AMP SUPERSEAL 1.5 SERIES CONNECTORS	
LOC. SIZE	NUMERO (CONS. NO.)
I A3	C-282106
REV.	FOLIO (SHEET)
B	1

ISTRUZIONE (PRINT DIST.)